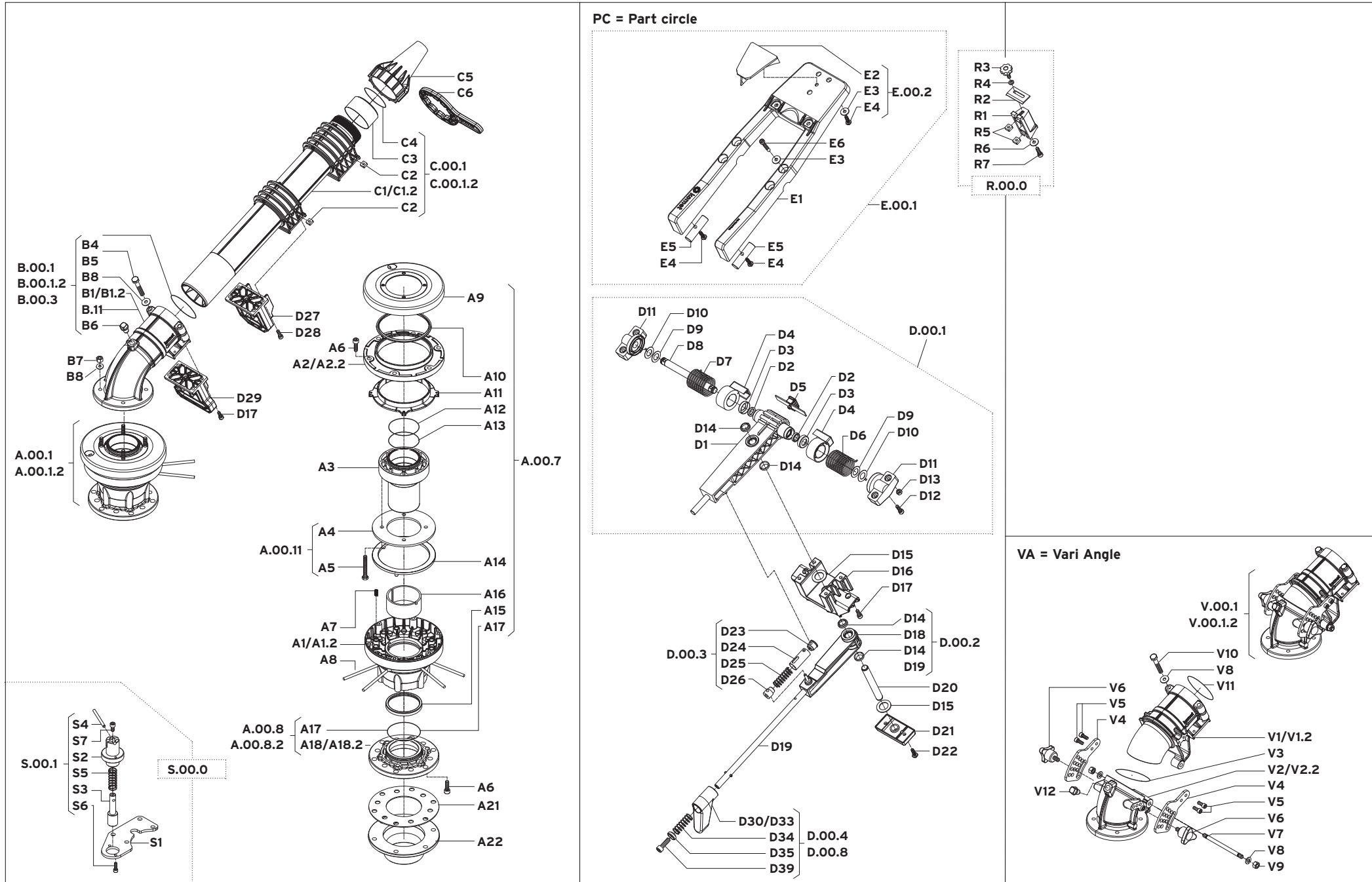


Spare Parts | Twin AP202 Ultra



Spare Parts | Twin AP202 Ultra

| | ENGLISH Description | DEUTSCH Bezeichnung | ITALIANO Denominazione | FRANCAIS Désignation | Q.ty Stk. Q.tà Q.té | Part Number Artikel-Nummer Codice Articolo Référence Pièce |
|----------|---------------------------------|---------------------------------|----------------------------------|--------------------------------|--|---|
| A.00.1 | Kit Housing/flg. PC | Kit Körper/Flansch PC | Kit Corpo/flg. PC | Kit Corps/bride PC | 1 | 07010658 |
| A.00.1.2 | Kit Housing/flg. PC-CP | Kit Körper/Flansch PC-CP | Kit Corpo/flg. PC-CP | Kit Corps/bride PC-CP | 1 | 07010698 |
| A.00.7 | Kit Brake | Kit Bremse | Kit Freno | Kit Frein | 1 | 07010660 |
| A.00.8 | Kit Adapter/flange | Kit Anschluss/Flansch | Kit Attacco/flangia | Kit Raccord/bride | 1 | 07010661 |
| A.00.8.2 | Kit Adapter/flange CP | Kit Anschluss/Flansch CP | Kit Attacco/flangia CP | Kit Raccord/bride CP | 1 | 07010699 |
| A.00.11 | Kit Brake Disc | Kit Bremsscheibe | Kit Disco Freno | Kit Disque Frein | 1 | 07010868 |
| A.1 | Housing bearing | Lagergehäuse | Corpo cuscinetto | Corps roulement | 1 | 03010125 |
| A.1.2 | Housing bearing CP | Lagergehäuse CP | Corpo cuscinetto CP | Corps roulement CP | 1 | 03010162 |
| A.2 | Housing cover | Deckel Lagergehäuse | Coperchio corpo | Couvercle corps | 1 | 03010124 |
| A.2.2 | Housing cover CP | Deckel Lagergehäuse CP | Coperchio corpo CP | Couvercle corps CP | 1 | 03010163 |
| A.3 | Brake cylinder | Bremszylinder | Canotto centrale | Cylindre central | 1 | 07010676 |
| A.4 | Brake disk | Bremsscheibe | Disco freno | Disque frein | 1 | 02010557 |
| A.5 | Bolt M8x60 | Schraube M8x60 | Vite M8x60 | Vis M8x60 | 4 | 02010544 |
| A.6 | Bolt M8x25 | Schraube M8x25 | Vite M8x25 | Vis M8x25 | 12 | 02010176 |
| A.7 | Brake spring | Bremsfeder | Molla per freno | Ressort frein | 6 | 02010113 |
| A.8 | Trip stop ring | Sektorring | Anello settore | Anneau secteur | 2 | 02010551 |
| A.9 | Antidust cover | Staubdeckel | Coperchio parapolvere | Couvercle antipoussiere | 1 | 04010660 |
| A.10 | Antidust ring | Staubring | Anello parapolvere | Anneau antipoussiere | 1 | 04010661 |
| A.11 | Brake pad | Bremssegment | Pastiglia freno | Pastille frein | 4 | 04010662 |
| A.12 | O-Ring 72,76X1,78 | O-Ring 72,76X1,78 | O-Ring 72,76X1,78 | O-Ring 72,76X1,78 | 1 | 02010585 |
| A.13 | O-Ring 73X3 | O-Ring 73X3 | O-Ring 73X3 | O-Ring 73X3 | 1 | 02010552 |
| A.14 | Friction disk | Reibscheibe | Disco frizione | Disque embrayage | 1 | 04010664 |
| A.15 | Lip seal | Lippen-Dichtung | Guarnizione a labbro | Joint a levre | 1 | 02010549 |
| A.16 | Bearing | Lagerhülse | Cuscinetto | Roulement | 1 | 04010665 |
| A.17 | O-Ring 79X3 | O-Ring 79X3 | O-Ring 79X3 | O-Ring 79X3 | 1 | 02010550 |
| A.18 | Adapter/flange | Anschluss/Flansch | Attacco/flangia | Raccord/bride | 1 | 03010119 |
| A.18.2 | Adapter/flange CP | Anschluss/Flansch CP | Attacco/flangia CP | Raccord/bride CP | 1 | 03010164 |
| A.21 | Gasket for flange connection | Flachdichtung Flanschsanschluss | Guarniz. piana attacco flg. | Joint plat pour raccord bride | 1 | 04010800 |
| A.22 | Adapter flange/3"NPT | Anschluss Flansch/3"NPT | Attacco flangia/3"NPT | Raccord bride/3"NPT | 1 | 02010356 |
| B.00.1 | Kit Elbow 24' | Kit Krümmer 24' | Kit Curva 24' | Kit Coude 24' | 1 | 07010662 |
| B.00.1.2 | Kit Elbow 24' CP | Kit Krümmer 24' CP | Kit Curva 24' CP | Kit Coude 24' CP | 1 | 07010700 |
| B.00.3 | Kit Elbow 44' | Kit Krümmer 44' | Kit Curva 44' | Kit Coude 44' | 1 | 07010766 |
| B.1 | Elbow 24' | Krümmer 24' | Curva 24' | Coude 24' | 1 | 03010116 |
| B.1.2 | Elbow 24' CP | Krümmer 24' CP | Curva 24' CP | Coude 24' CP | 1 | 03010165 |
| B.4 | O-Ring 75X3 | O-Ring 75X3 | O-Ring 75X3 | O-Ring 75X3 | 1 | 02010553 |
| B.5 | Bolt M8x50 | Schraube M8x50 | Vite M8x50 | Vis M8x50 | 2 | 02010032 |
| B.6 | Plug | Pfropfen | Tappo | Bouchon | 1 | 04010523 |
| B.7 | Nut M8 | Mutter M8 | Dado M8 | Ecrou M8 | 4 | 02010038 |
| B.8 | Washer 8 | Scheibe 8 | Rondella 8 | Rondelle 8 | 6 | 02010041 |
| B.11 | Elbow 44' | Krümmer 44' | Curva 44' | Coude 44' | 1 | 07010764 |
| C.00.1 | Kit Barrel | Kit Strahlrohr | Kit Tubo di lancio | Kit Fut | 1 | 07010664 |
| C.00.1.2 | Kit Barrel CP | Kit Strahlrohr CP | Kit Tubo di lancio CP | Kit Fut CP | 1 | 07010702 |
| C.1 | Barrel | Strahlrohr | Tubo di lancio | Fut | 1 | 04010654 |
| C.1.2 | Barrel CP | Strahlrohr CP | Tubo di lancio CP | Fut CP | 1 | 04010766 |
| C.2 | Square nut M6 | Mutter vierkant M6 | Dado quadro M6 | Ecrou carre M6 | 8 | 02010240 |
| C.3 | Inset barrel | Einsatz Strahlrohr | Inserto tubo di lancio | Insert fut | 1 | 04010753 |
| C.4 | O-Ring 167 | O-Ring 167 | O-Ring 167 | O-Ring 167 | 1 | 02010175 |
| C.5-22 | Taper bore nozzle 22 mm / 0.87" | Weitwurfdüse 22 mm / 0.87" | Ugello conico 22 mm / 0.87" | Buse lng portee 22 mm / 0.87" | 1 | 04010706 |
| C.5-23 | Taper bore nozzle 23 mm / 0.91" | Weitwurfdüse 23 mm / 0.91" | Ugello conico 23 mm / 0.91" | Buse lng portee 23 mm / 0.91" | 1 | 04010707 |
| C.5-24 | Taper bore nozzle 24 mm / 0.94" | Weitwurfdüse 24 mm / 0.94" | Ugello conico 24 mm / 0.94" | Buse lng portee 24 mm / 0.94" | 1 | 04010708 |
| C.5-25 | Taper bore nozzle 25 mm / 0.98" | Weitwurfdüse 25 mm / 0.98" | Ugello conico 25 mm / 0.98" | Buse lng portee 25 mm / 0.98" | 1 | 04010709 |
| C.5-26 | Taper bore nozzle 26 mm / 1.02" | Weitwurfdüse 26 mm / 1.02" | Ugello conico 26 mm / 1.02" | Buse lng portee 26 mm / 1.02" | 1 | 04010710 |
| C.5-27 | Taper bore nozzle 27 mm / 1.06" | Weitwurfdüse 27 mm / 1.06" | Ugello conico 27 mm / 1.06" | Buse lng portee 27 mm / 1.06" | 1 | 04010711 |
| C.5-28 | Taper bore nozzle 28 mm / 1.10" | Weitwurfdüse 28 mm / 1.10" | Ugello conico 28 mm / 1.10" | Buse lng portee 28 mm / 1.10" | 1 | 04010712 |
| C.5-29 | Taper bore nozzle 29 mm / 1.14" | Weitwurfdüse 29 mm / 1.14" | Ugello conico 29 mm / 1.14" | Buse lng portee 29 mm / 1.14" | 1 | 04010713 |
| C.5-30 | Taper bore nozzle 30 mm / 1.18" | Weitwurfdüse 30 mm / 1.18" | Ugello conico 30 mm / 1.18" | Buse lng portee 30 mm / 1.18" | 1 | 04010714 |
| C.5-31 | Taper bore nozzle 31 mm / 1.22" | Weitwurfdüse 31 mm / 1.22" | Ugello conico 31 mm / 1.22" | Buse lng portee 31 mm / 1.22" | 1 | 04010715 |

Spare Parts | Twin AP202 Ultra

| | ENGLISH Description | DEUTSCH Bezeichnung | ITALIANO Denominazione | FRANCAIS Désignation | Q.ty Stk. Q.tà Q.té | Part Number Artikel-Nummer Codice Articolo Référence Pièce |
|--------|---------------------------------|--------------------------------|------------------------------------|--------------------------------------|------------------------------|---|
| C.5-32 | Taper bore nozzle 32 mm / 1.26" | Weitwurfdüse 32 mm / 1.26" | Ugello conico 32 mm / 1.26" | Buse lng portee 32 mm / 1.26" | 1 | 04010716 |
| C.5-33 | Taper bore nozzle 33 mm / 1.30" | Weitwurfdüse 33 mm / 1.30" | Ugello conico 33 mm / 1.30" | Buse lng portee 33 mm / 1.30" | 1 | 04010717 |
| C.5-34 | Taper bore nozzle 34 mm / 1.34" | Weitwurfdüse 34 mm / 1.34" | Ugello conico 34 mm / 1.34" | Buse lng portee 34 mm / 1.34" | 1 | 04010718 |
| C.5-35 | Taper bore nozzle 35 mm / 1.38" | Weitwurfdüse 35 mm / 1.38" | Ugello conico 35 mm / 1.38" | Buse lng portee 35 mm / 1.38" | 1 | 04010719 |
| C.5-36 | Taper bore nozzle 36 mm / 1.42" | Weitwurfdüse 36 mm / 1.42" | Ugello conico 36 mm / 1.42" | Buse lng portee 36 mm / 1.42" | 1 | 04010720 |
| C.5-37 | Taper bore nozzle 37 mm / 1.46" | Weitwurfdüse 37 mm / 1.46" | Ugello conico 37 mm / 1.46" | Buse lng portee 37 mm / 1.46" | 1 | 04010721 |
| C.5-38 | Taper bore nozzle 38 mm / 1.50" | Weitwurfdüse 38 mm / 1.50" | Ugello conico 38 mm / 1.50" | Buse lng portee 38 mm / 1.50" | 1 | 04010722 |
| C.5-39 | Taper bore nozzle 39 mm / 1.54" | Weitwurfdüse 39 mm / 1.54" | Ugello conico 39 mm / 1.54" | Buse lng portee 39 mm / 1.54" | 1 | 04010723 |
| C.5-40 | Taper bore nozzle 40 mm / 1.57" | Weitwurfdüse 40 mm / 1.57" | Ugello conico 40 mm / 1.57" | Buse lng portee 40 mm / 1.57" | 1 | 04010724 |
| C.5-41 | Taper bore nozzle 41 mm / 1.61" | Weitwurfdüse 41 mm / 1.61" | Ugello conico 41 mm / 1.61" | Buse lng portee 41 mm / 1.61" | 1 | 04010725 |
| C.5-42 | Taper bore nozzle 42 mm / 1.65" | Weitwurfdüse 42 mm / 1.65" | Ugello conico 42 mm / 1.65" | Buse lng portee 42 mm / 1.65" | 1 | 04010726 |
| C.5-43 | Taper bore nozzle 43 mm / 1.69" | Weitwurfdüse 43 mm / 1.69" | Ugello conico 43 mm / 1.69" | Buse lng portee 43 mm / 1.69" | 1 | 04010727 |
| C.5-44 | Taper bore nozzle 44 mm / 1.73" | Weitwurfdüse 44 mm / 1.73" | Ugello conico 44 mm / 1.73" | Buse lng portee 44 mm / 1.73" | 1 | 04010728 |
| C.5-45 | Taper bore nozzle 45 mm / 1.77" | Weitwurfdüse 45 mm / 1.77" | Ugello conico 45 mm / 1.77" | Buse lng portee 45 mm / 1.77" | 1 | 04010729 |
| C.6 | Nozzle wrench | Düsenschlüssel | Chiave ugello | Cle pour buse | 1 | 04010742 |
| D.00.1 | Kit Trip lever upper PC | Kit Kreuzgelenk PC | Kit Leva crociera PC | Kit Levier declenchement PC | 1 | 07010665 |
| D.1 | Shift lever upper | Kreuzgelenk oben | Leva crociera superiore | Levier declenchement sup. | 1 | 04010500 |
| D.2 | Labyrinth seal | Labyrinth-Dichtung | Guarnizione labirinto | Joint labyrinthe | 2 | 04010204 |
| D.3 | Cover for hub | Deckel für Nabe | Coprimozzo | Couvercle pour moyeu | 2 | 02010121 |
| D.4 | Spring housing internal | Federgehäuse innen | Scatola molla interna | Boite ressort interne | 2 | 04010328 |
| D.5 | Speed shift lever | Selektierhebel Geschwindigkeit | Leva selettore velocità | Levier selecteur vitesse | 1 | 04010329 |
| D.6 | Spring drive arm right | Feder Schwingarm Rechts | Molla braccio oscillante destro | R ressort bras oscillant droite | 1 | 02010538 |
| D.7 | Spring drive arm left | Feder Schwingarm Links | Molla braccio oscillante sinistro | R ressort bras oscillant gauche | 1 | 02010539 |
| D.8 | Shaft drive arm | Welle Schwingarm | Perno braccio oscillante | Pivot bras oscillant | 1 | 04010656 |
| D.9 | Washer 0.5 | Scheibe 0.5 | Rondella 0.5 | Rondelle 0.5 | 2 | 02010645 |
| D.10 | Washer W/Pin 0.5 | Scheibe mit Stopper 0.5 | Rondella antigiro 0.5 | Rondelle avec cran d'arret 0.5 | 2 | 02010276 |
| D.11 | Bracket drive arm | Schelle für Schwingarm | Cavalotto braccio osc. | Etrier bras oscillant | 2 | 04010657 |
| D.12 | Bolt M6x20 | Schraube M6x20 | Vite M6x20 | Vis M6x20 | 2 | 02010130 |
| D.13 | Nut M6 | Mutter M6 | Dado M6 | Ecrou M6 | 4 | 02010128 |
| D.14 | Dust seal | Abstreif-Dichtung | Guarnizione raschiatore | Joint antipoussiere | 4 | 02010119 |
| D.15 | Washer | Scheibe | Rondella | Rondelle | 2 | 04010333 |
| D.16 | Housing for PC | Gehäuse für PC | Corpo per PC | Corps pour PC | 1 | 04010636 |
| D.17 | Bolt M6x16 | Schraube M6x16 | Vite M6x16 | Vis M6x16 | 8 | 02010169 |
| D.00.2 | Kit Shift lever lower | Kit Schaltgelenk unten | Kit Leva crociera inferiore | Kit Levier declenchement inf. | 1 | 07010667 |
| D.18 | Shift lever lower | Schaltgelenk unten | Leva crociera inferiore | Levier declenchement inf. | 1 | 04010674 |
| D.19 | Pin for trip lever | Stift für Schalthebel | Spina leva scatto settore | Chevillon pour levier inversion | 1 | 02010574 |
| D.20 | Shaft for housing | Welle für Gehäuse | Perno per corpo | Pivot pour corps | 1 | 04010634 |
| D.21 | Cover trip levers housing | Deckel Sektorgehäuse | Coperchio corpo settore | Couvercle corps inversion | 1 | 04010635 |
| D.22 | Screw Ej-K60x20 | Schraube Ej-K60x20 | Vite Ej-K60x20 | Vis Ej-K60x20 | 2 | 02010166 |
| D.00.3 | Kit Trip spring | Kit Sektorfeder | Kit Molla scatto settore | Kit Ressort inversion | 1 | 07010657 |
| D.23 | Plug sleeve | Kappe für Hülse | Tappo bussola | Bouchon douille | 1 | 04010211 |
| D.24 | Spring sleeve | Federhülse | Bussola scatto settore | Douille ressort | 1 | 02010142 |
| D.25 | Trip spring | Feder für Schaltung | Molla scatto settore | R ressort inversion | 1 | 02010347 |
| D.26 | Guide for sleeve | Gleitnuppe für Hülse | Nottolino per bussola | Taquet pour douille | 1 | 04010210 |
| D.27 | Stop for shift lever upper | Anschlag Kreuzgelenk | Arresto corciera settore | Butee levier declenchement sup. | 1 | 04010644 |
| D.28 | Bolt M6x20 | Schraube M6x20 | Vite M6x20 | Vis M6x20 | 4 | 02010130 |
| D.29 | Stopper for rod | Anschlag Sektorwelle | Arresto asta settore | Butee tige secteur | 1 | 04010670 |
| D.00.4 | Kit Trip lever 24' | Kit Schalthebel 24' | Kit Leva settore 24' | Kit Levier inversion 24' | 1 | 07010647 |
| D.00.8 | Kit Trip lever VA | Kit Schalthebel VA | Kit Leva settore VA | Kit Levier inversion VA | 1 | 07010677 |
| D.30 | Trip lever 24' | Schalthebel 24' | Leva scatto settore 24' | Levier declenchement inv. 24' | 1 | 04010645 |
| D.33 | Trip lever VA | Schalthebel VA | Leva scatto settore VA | Levier declenchement inv. VA | 1 | 04010733 |
| D.34 | Spring for trip shift lever | Feder Schalthebel | Molla leva scatto settore | R ressort p. levier inversion | 1 | 02010249 |
| D.35 | Washer | Scheibe | Rondella | Rondelle | 1 | 04010751 |
| D.39 | Bolt M8x25 Flat Head | Schraube M8x25 Flachkopf | Vite M8x25 Testa Bassa | Vis M8x25 Tête Basse | 2 | 02010678 |
| E.00.1 | Kit drive arm | Kit Schwingarm | Kit Braccio oscillante | Kit bras oscillant | 1 | 07010668 |
| E.00.2 | Kit Deflector | Kit Deflektor | Kit Deflettore | Kit Deflecteur | 1 | 07010669 |
| E.1 | Drive arm | Schwinghebel | Braccio oscillante | Bras oscillant | 1 | 04010655 |
| E.2 | Deflector 47 | Deflektor 47 | Deflettore 47 | Deflecteur 47 | 1 | 04010737 |

Spare Parts | Twin AP202 Ultra

| | ENGLISH Description | DEUTSCH Bezeichnung | ITALIANO Denominazione | FRANCAIS Désignation | Q.ty Stk. Q.tà Q.té | Part Number Artikel-Nummer Codice Articolo Référence Pièce |
|----------|-------------------------------|-------------------------------|-----------------------------------|------------------------------------|--|---|
| E.3 | Washer 6.5 | Scheibe 6.5 | Rondella 6.5 | Rondelle 6.5 | 7 | 02010160 |
| E.4 | Screw Ej-K60x20 | Schraube Ej-K60x20 | Vite Ej-K60x20 | Vis Ej-K60x20 | 5 | 02010166 |
| E.5 | Counterweight drive arm | Gegengewicht Schwingarm | Contrappeso braccio osc. | Contrepoids bras oscillant | 2 | 04010628 |
| E.6 | Bolt M6x35 | Schraube M6x35 | Vite M6x35 | Vis M6x35 | 4 | 02010138 |
| R.00.0 | Kit Dyn. Jet-breaker | Kit Dyn. Strahlstörer | Kit Spartiacqua | Kit Brise-Jet Dynamique | 1 | 07010674 |
| R.1 | Base Dyn. Jet-breaker | Socket Dyn. Störer | Base spartiacqua | Base brise-Jet Dyn. | 1 | 04010338 |
| R.2 | Blade Jet-breaker | Schneide Strahlstörer | Lama spartiacqua | Lame brise-Jet | 1 | 02010606 |
| R.3 | Bolt W/Grip | Sterngriff-Schraube | Vite con pomello | Vis avec bouton étoile | 1 | 02010432 |
| R.4 | Washer 6 | Scheibe 6 | Rondella 6 | Rondelle 6 | 1 | 02010042 |
| R.5 | Square nut M6 | Mutter vierkant M6 | Dado quadro M6 | Ecrou carre M6 | 2 | 02010240 |
| R.6 | Washer 6.5 | Scheibe 6.5 | Rondella 6.5 | Rondelle 6.5 | 1 | 02010160 |
| R.7 | Bolt M6x20 | Schraube M6x20 | Vite M6x20 | Vis M6x20 | 1 | 02010130 |
| V.00.1 | Kit Vari Angle | Kit Vari Angle | Kit Vari Angle | Kit Vari Angle | 1 | 07010670 |
| V.00.1.2 | Kit Vari Angle CP | Kit Vari Angle CP | Kit Vari Angle CP | Kit Vari Angle CP | 1 | 07010703 |
| V1 | Upper elbow | Halbkrümmer oben | Semicurva superiore | Coude superieur | 1 | 03010152 |
| V1.2 | Upper elbow CP | Halbkrümmer oben CP | Semicurva superiore CP | Coude superieur CP | 1 | 03010166 |
| V2 | Lower elbow | Halbkrümmer unten | Semicurva inferiore | Coude inferieur | 1 | 07010678 |
| V2.2 | Lower elbow CP | Halbkrümmer unten CP | Semicurva inferiore CP | Coude inferieur CP | 1 | 07010704 |
| V3 | O-Ring 80x5 | O-Ring 80x5 | O-Ring 80x5 | O-Ring 80x5 | 1 | 02010584 |
| V4 | Selector plate for trajectory | Fixierlasche für Strahlwinkel | Piastra selettore angolo | Languette du selecteur angle | 2 | 02010567 |
| V5 | Bolt M6x16 | Schraube M6x16 | Vite M6x16 | Vis M6x16 | 4 | 02010169 |
| V6 | Bolt W/Grip | Sterngriff-Schraube | Vite con pomello | Vis avec bouton étoile | 2 | 02010573 |
| V7 | Shaft | Gewindewelle | Tirante | Tirant | 1 | 04010755 |
| V8 | Washer 8 | Scheibe 8 | Rondella 8 | Rondelle 8 | 4 | 02010041 |
| V9 | Nut M8 | Mutter M8 | Dado M8 | Ecrou M8 | 2 | 02010038 |
| V10 | Bolt M8x50 | Schraube M8x50 | Vite M8x50 | Vis M8x50 | 2 | 02010032 |
| V11 | O-Ring 75X3 | O-Ring 75X3 | O-Ring 75X3 | O-Ring 75X3 | 1 | 02010553 |
| V12 | Plug | Pfropfen | Tappo | Bouchon | 1 | 04010523 |
| S.00.0 | Kit Lock for transport | Kit Transportsicherung | Kit Arresto per trasporto | Kit Fixation pour transport | 1 | 07010672 |
| S.00.1 | Kit Lock | Kit Arretierung | Kit Arresto | Kit Fixation | 1 | 07010654 |
| S.1 | Support lock/counterweight | Halter Sicherung/Gegengewicht | Supporto Arresto/Contrappeso | Support Fixation/Contrepoids | 1 | 02010589 |
| S.2 | Housing lock | Gehäuse Arretierung | Corpo arresto | Corps fixation | 1 | 04010758 |
| S.3 | Shaft | Zapfen | Perno | Pivot | 1 | 04010759 |
| S.4 | Pin | Stift | Spina | Cheville | 1 | 04010760 |
| S.5 | Spring trip shift lever/lock | Feder Schalthebel/Arretierung | Molla leva scatto settore/arresto | Ressort levier inversion/fixation | 1 | 02010249 |
| S.6 | Bolt M5x16 | Schraube M5x16 | Vite M5x16 | Vis M5x16 | 2 | 02010587 |
| S.7 | Bolt M6x12 | Schraube M6x12 | Vite M6x12 | Vis M6x12 | 1 | 02010159 |

Grey shaded part numbers: not available as single parts, please select appropriate kit/assembly • Grau hinterlegte Ersatzteile: einzeln nicht erhältlich, sondern nur im entsprechenden Ersatzteil-Kit • Pezzi di ricambio su fondo grigio: non fornibili singolarmente, selezionare il kit ricambio desiderato • Pièces de rechange sur fond gris: ne sont pas disponibles séparément, sélectionner le kit pièces souhaite • Las referencias sombreadas en gris: no están disponibles como piezas solas, por favor seleccione el equipo/conjunto apropiado apropiado • Peças com números sombreados de cinza: não disponíveis como peças individuais, por favor, selecione o conjunto/montagem apropriado.