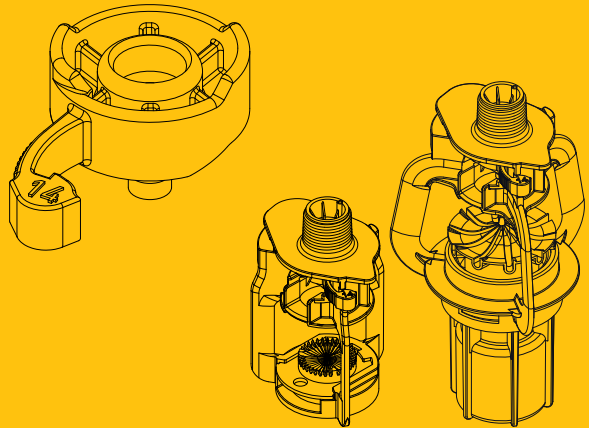


# Operating Instructions

---

**komet** | *Pivot*

## **Komet Rapid Fit Nozzle Assembly Tool**



- > For Komet Precision Twister (KPT)
- > For Komet Precision Spray (KPS)



English

[www.kometirrigation.com](http://www.kometirrigation.com)

---

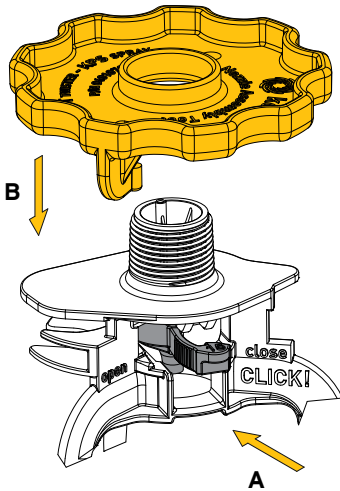
**THE KOMET ADVANTAGE:**  
INNOVATION WITH IMPACT

# Komet Rapid Fit Nozzle - Assembly Tool

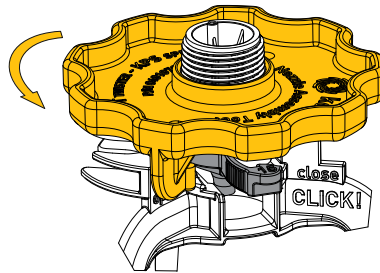
## Installation guide

This Assembly Tool makes it effortless to install the Komet Rapid Fit Nozzle.

### 1. Insert the Nozzle



### 2. Place the Assembly Tool as shown



### 3. Rotate the Assembly Tool to install the Nozzle and click to secure it

